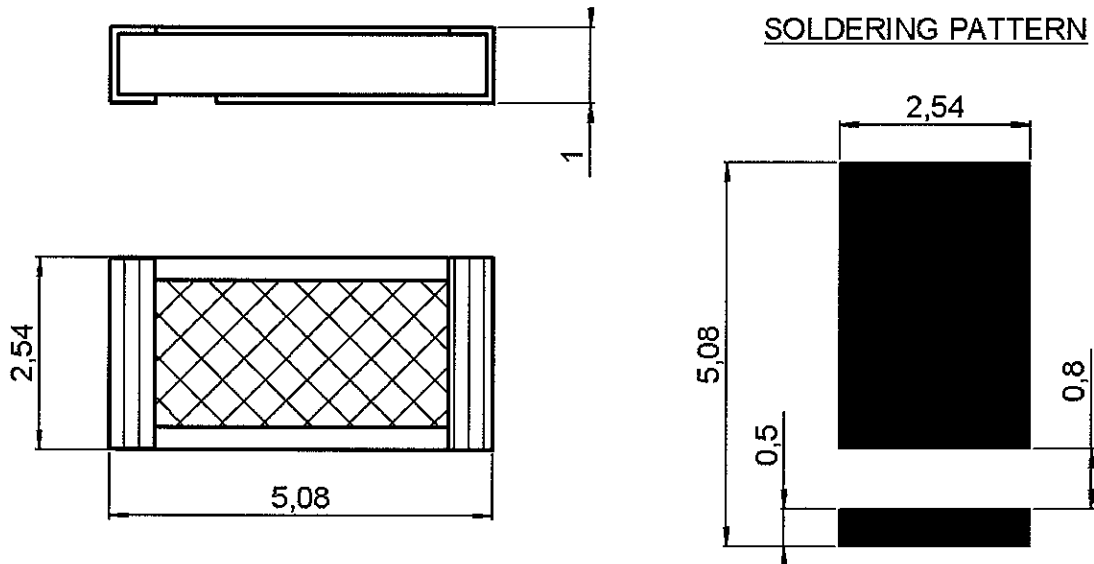


SMT TERMINATION (ALN)

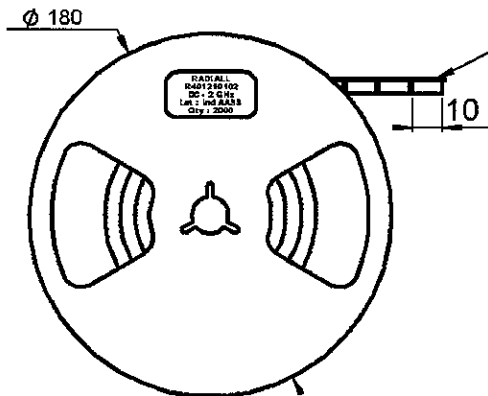
DC - 2 GHZ 10 W (TRUE SURFACE MOUNT)

R401.210.102

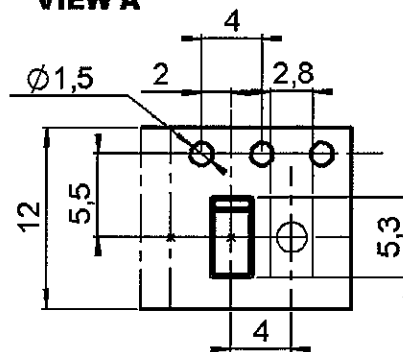
Series :
TERMINATION



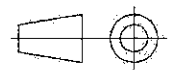
* CONDITIONNEMENT PAR 2000
PACKAGING BY 2000 *



VUE A
VIEW A



dimensions are in mm.



Issue : 0521 A

In the effort to improve our products, we reserve the right to make changes judged to be necessary.



SMT TERMINATION (ALN)

R401.210.102

DC - 2 GHZ 10 W (TRUE SURFACE MOUNT)

Series :
TERMINATION

ELECTRICAL CHARACTERISTICS

Frequency range : DC - 2 GHz
 Impedance : 50 ohms ±5%
 Average Power : 10 W

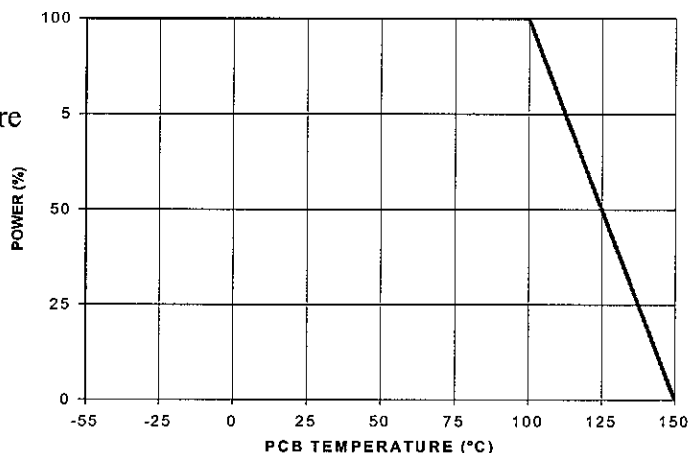
Frequency	DC - 2 GHz				
V.S.W.R	<= 1.25				

MECHANICAL CHARACTERISTICS

Substrate : AlN
 Resistive film type : Thick film
 Protective coating : Epoxy
 Solderable terminal & ground : AgPd

OTHER CHARACTERISTICS

Power derating
Versus temperature



ENVIRONMENTAL

Operating temperature range : -55°C + 150°C

Issue : 0521 A

In the effort to improve our products, we reserve the right to make changes judged to be necessary.

